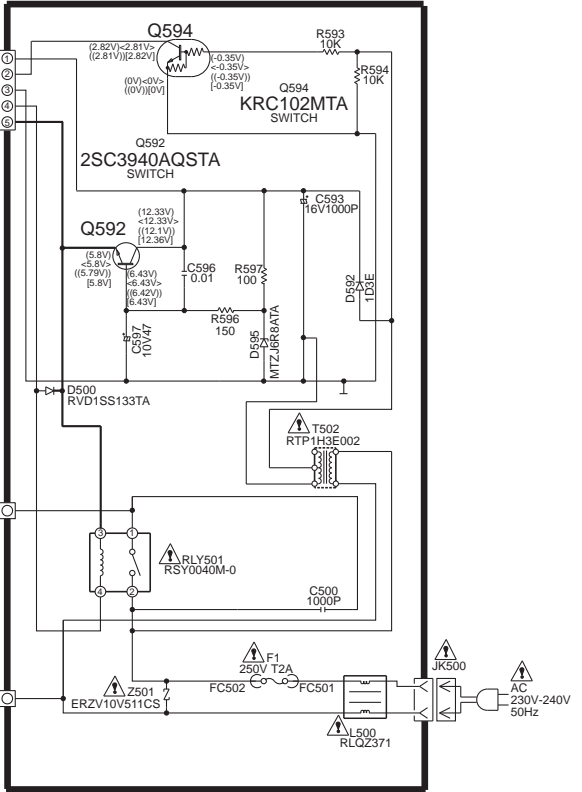
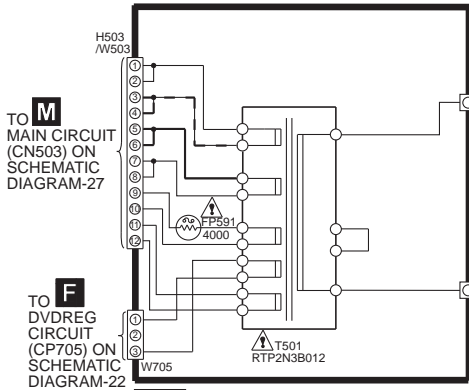


O AC TRANSFORMER CIRCUIT



(FOR GK)

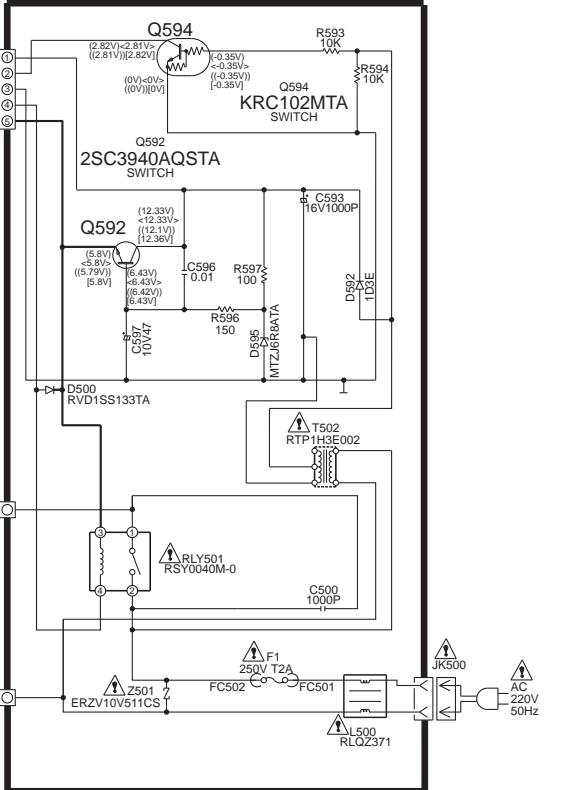


TO **M** MAIN CIRCUIT (CN503) ON SCHEMATIC DIAGRAM-27

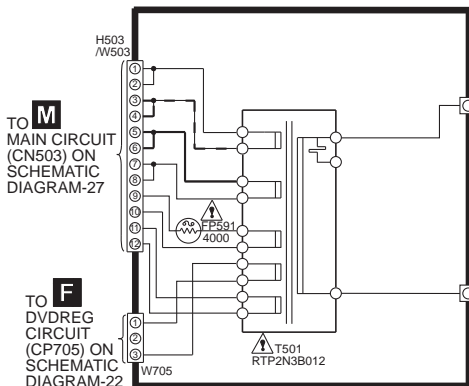
TO **F** DVDREG CIRCUIT (CP705) ON SCHEMATIC DIAGRAM-22

N SUB-TRANSFORMER CIRCUIT

O AC TRANSFORMER CIRCUIT



(FOR GN)



TO **M** MAIN CIRCUIT (CN503) ON SCHEMATIC DIAGRAM-27

TO **F** DVDREG CIRCUIT (CP705) ON SCHEMATIC DIAGRAM-22

N SUB-TRANSFORMER CIRCUIT

(FOR GCS/GC/GCP/GT)

